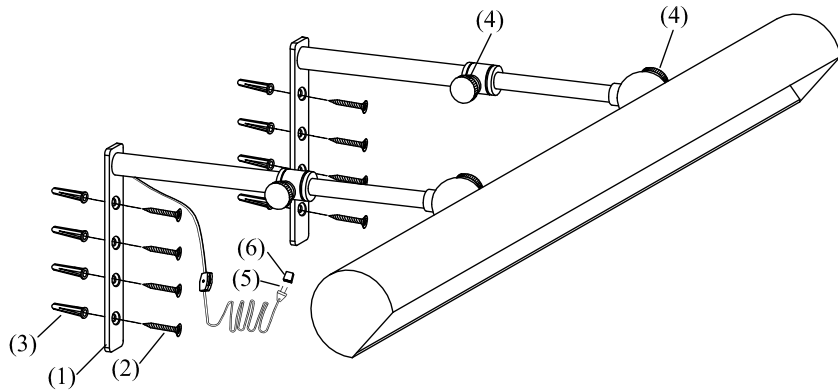


SL2703

ASSEMBLY & INSTALLATION GUIDE

INSPECT ITEM CAREFULLY BEFORE ATTEMPTING TO INSTALL. IF THERE IS ANY DAMAGE OR OBVIOUS DEFECT, DO NOT INSTALL.

ITEM MAY NOT BE RETURNED ONCE IT HAS BEEN INSTALLED.



1. Place both base plates (1) on wall at desired height and mark outline position of base plates (1). Use a level to make sure the screw holes in the base plates are vertical.
2. Mark the centers of the screw holes with a pencil.
3. Drill small holes into your pencil marks on the wall. The holes should be large enough to accommodate the plastic anchors (3). Push the plastic anchors into the holes in the wall.
4. Position both base plates (1) on the wall and attach to plastic anchors (3) with screws provided (2).
5. Insert light bulbs into socket.
6. Remove protective plastic (6) from electrical plug (5).
7. Plug lamp into wall outlet.
8. ADJUSTMENT INSTRUCTIONS
 1. Loosen adjustable keys (4) found lamp stem.
 2. Adjust height to desired position.
 3. Tighten the adjustable keys.